

Fitting Instructions for Corner Carousel Mechanism ES-70



The ES-70 is used for outer cabinet widths of 800 and 900 mm.

On the basis of information provided by you in the ES-70 data sheet, we have defined the fitting most suited for your requirement. These fitting instructions include a sheet entitled "Installation service" as well as the measurement sheets for the bottom, door and side wall of the cabinet, including all drawings and construction dimensions.

1. Preparing the cabinet bottom

- Make the 3 drill holes in the floor as indicated in the attached dimension sheet "Cabinet bottom" (see ⑬).
- Then press the cam plate (see ⑫) in to the holes and fasten using 3 Spax screws 3.5 x 30 mm.

2. Preparing the side walls

- Drill 12 mm deep holes with the 5 mm drill bit as illustrated in the dimension sheet "Side wall".
- Pre-mount Euro flange head / Euro countersunk head screws 6.1 x 10 mm.

3. Preparing the cabinet body

- Assemble the components to create the cabinet body.

4. Installing the bearing cross

- Screw the bearing cross (see ①) into place.
- When using a back panel made of hard fibreboard:
 1. Align the side walls square.
 2. Fasten the back panel onto the retaining bracket of the bearing cross (see ①) with the supplied clip.

5. Installation of fitting

- Place the fitting, rotated 90° into the inside of the cabinet, onto the retaining fixture in the cam plate (see ⑫).
- Press the two connecting rods at the same time (see ⑪) together and towards the axle.

Once the guide roller is positioned at the inner rim of the cam plate, and you can audibly hear the axle clicking into place, the fitting has been correctly installed.

- Now connect the telescopic tube (see

- ②) with the bearing cross (see ①) by releasing and pulling the telescopic tube (see ③) out until it reaches beyond the pin in the bearing cross (see ①). *Note: The telescopic tube must rest against the bearing cross. Do not push the bearing cross upwards with the telescopic tube!*

- Then tighten the telescopic tube tensioner (see ③).
- It should now be easily possible to rotate the fitting around 360 degrees.

6. Preparing the doors and final assembly

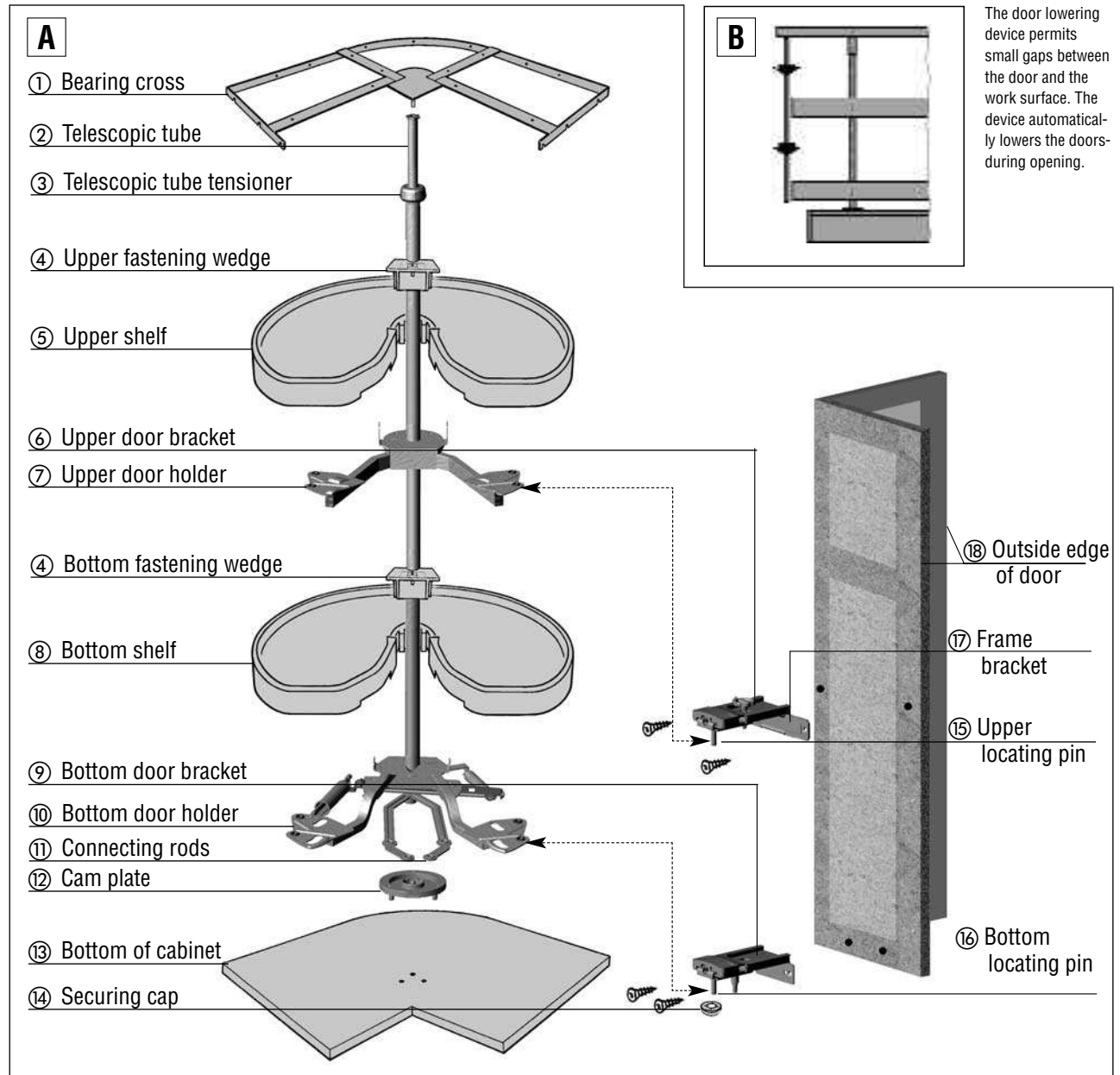
- For flat overlaid doors, the right-hand door must be larger than the left-hand one.

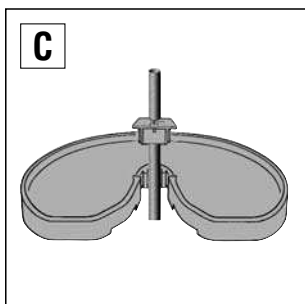
- Doors with corner studs must be fixed to the right-hand door.
- Pre-drill the screw-on points on the door according to the attached dimension sheet "Door". Then screw the upper and lower door brackets (see ⑥ and ⑨) onto the doors.

- With an 800 mm cabinet, the shorter side of the frame bracket (see ⑰) is pointing towards the outer edge of the door (see ⑱). The doors must be suspended with the locating pins (see ⑮ and ⑯) in the front holes of the upper and lower door holder (see ⑦ and ⑩).

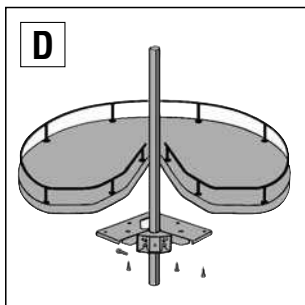
- With a 900 mm cabinet, the longer side of the frame bracket (see ⑰) is pointing towards the outer edge of the door (see ⑱). The doors must be suspended with the locating pins (⑮) in the rear holes of the upper and lower door holder (see ⑦ and ⑩).

- Clip the connecting rods (see ⑪) into the bottom door bracket (see ⑨).

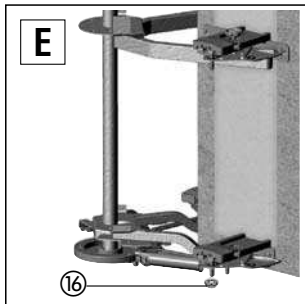




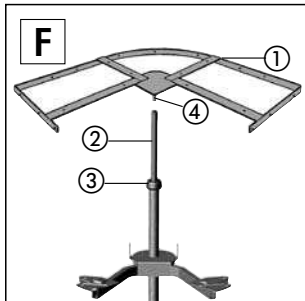
Plastic shelves
Attach to the axle following the supplied instructions.



Support for wooden shelves
Mount in accordance with our construction drawing and attach to the axle.



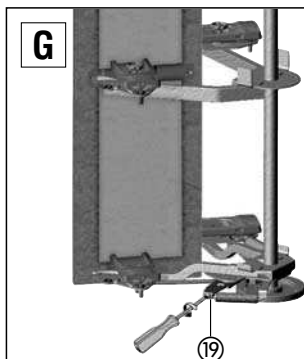
Securing the door
To avoid unintentionally lifting the door off its hinges, secure the bottom locating pins with the securing cap (see 16).



Telescopic fixation
Connect the telescopic tube (see 2) to the bearing cross (see 1) by releasing the telescopic tube tensioner (see 3) and pulling the telescopic tube out until it (2) reaches beyond the pin of the bearing cross (see 5)
Note:
The telescopic tube must rest against the bearing cross. Do not push the bearing cross upwards with the telescopic tube!

For the HETAL carrousel fitting mechanism ES-70, we recommend:

- **Steel bearing cross** from HETAL.
For details, see the catalogue Corner Carrousel Mechanisms.
- *** Plastic shelves** from HETAL.
For details, see the catalogue "ET-28 and ET-29"
- Most common wood and wire shelves of almost all renowned manufacturers can also be used.
Please contact your shelf supplier.

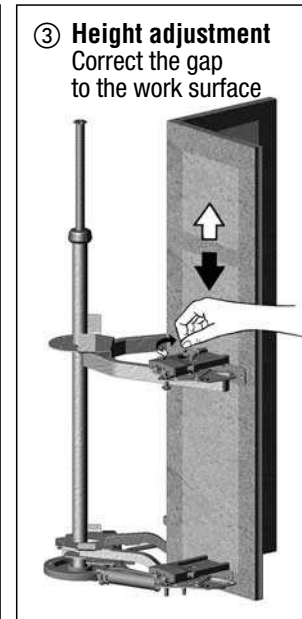
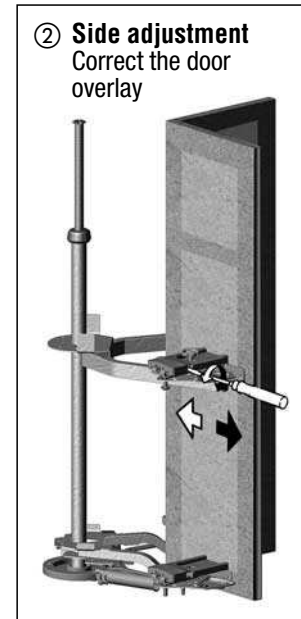
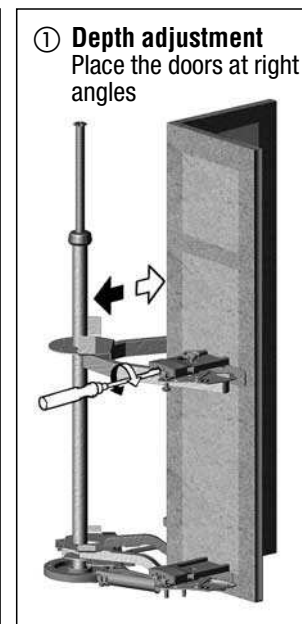
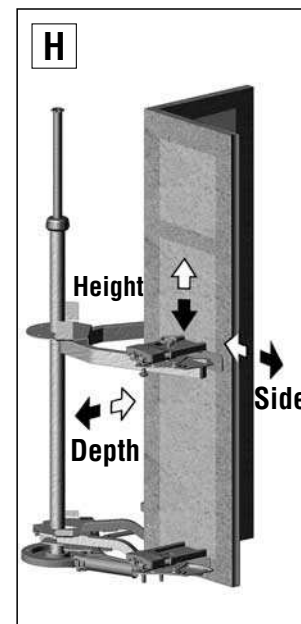


Closing speed of the doors:
It is possible to adjust the closing speed of the doors when the fitting is in place:
Turn the adjusting screw 19 to the right = faster closing
Turn the adjusting screw 19 to the left = slower closing

Adjusting the doors
The doors can be adjusted independently of each other in any direction.

Before starting with the adjustment, the corner cabinet should be aligned precisely by means of the adjustable cabinet feet. When doing this, pay attention to also adjust central adjusting foot to ensure correct support of subsequent loads on the axle.

Then align the doors in the sequence indicated on the right.



HETAL-Werke
Franz Hettich GmbH & Co.
Postfach 12 40
D-72272 Alpirsbach
Freudenstädter Straße 30
D-72275 Alpirsbach
Tel. +49 (0)74 44 / 68-0
Fax +49 (0)74 44 / 68-110
e-mail: Info@HETAL.de
<http://www.HETAL.de>

Einstellanleitung ES-70

Adjustment instructions ES-70

Instructions de réglage ES-70

D

Sie können die Schließgeschwindigkeit der Türen bei eingebautem Beschlag verändern:
 Stellschraube nach rechts drehen = schneller Schließvorgang,
 Stellschraube nach links drehen = langsamer Schließvorgang

GB

You can change the closing speed of the doors without removing the fitting: By turning the adjustment screw to the left the closing speed is reduced. By turning the adjustment screw to the right the closing speed is increased.

F

Vous pouvez modifier la vitesse de la fermeture des portes à la ferrure installée: fermeture plus rapide en tournant la vis de réglage vers la droite, fermeture plus souple en tournant la vis de réglage vers la gauche.

Nicht am Lagerkreuz tragen!
Vor Inbetriebnahme:
 Lagerkreuz an der Arbeitsplatte festschrauben.

Do not carry by bearing cross!
Before using:
 Screw bearing cross tight onto the working plate.

Ne pas transporter par la croix de montage!
Avant la mise en service:
 Visser la croix de montage sur le plan de travail.

Einstellanleitung ES-70

Adjustment instructions ES-70

Instructions de réglage ES-70

D

Die Türen lassen sich unabhängig voneinander in allen Richtungen justieren.

Bevor Sie mit dem Justieren beginnen, sollte der Eckschrank über die Verstellfüße exakt ausgerichtet sein. Dabei ist der mittlere Verstellfuß wegen späterer Achsbelastungen unbedingt mit einzustellen.

1. Tiefeneinstellung = Türen in 90-Grad Position bringen
2. Seiteneinstellung = Türaufschlag korrigieren
3. Höheneinstellung = Fuge zur Arbeitsplatte korrigieren

GB

The doors can be adjusted independent of each other in all directions.

Before starting with adjustment, make sure the corner cabinet is aligned exactly by means of the adjustable cabinet feet. Special attention should be paid to adjusting the middle foot for support of the axle weight.

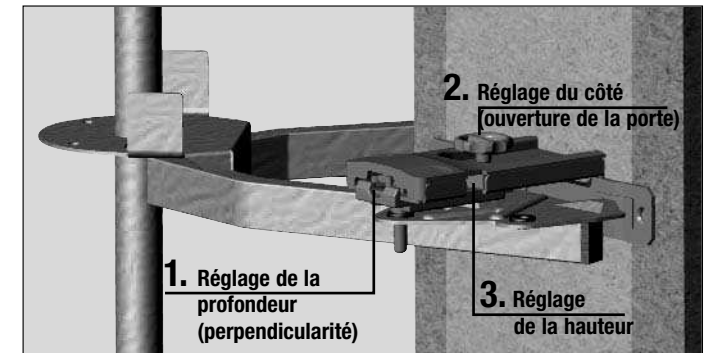
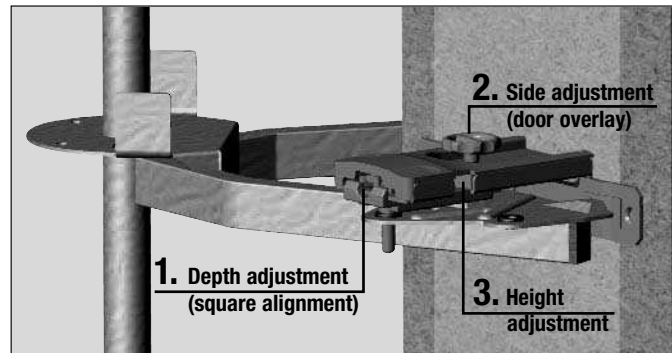
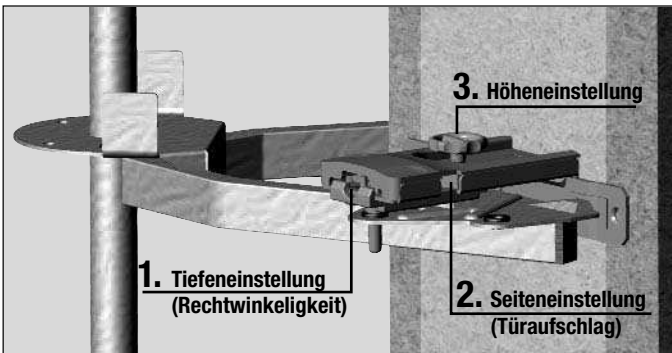
1. Depth adjustment = put the doors in the 90 degree position
2. Side adjustment = correct the door overlay
3. Height adjustment = correct the distance between door and working plate

F

Les portes peuvent être ajustées dans tous les sens, indépendamment les unes des autres.

Avant de commencer l'ajustage, veiller à ce que l'armoire d'angle soit exactement dressée sur les pieds réglables. Régler impérativement le pied central à cause des charges axiales exercées ultérieurement.

1. Réglage en profondeur = mettre portes au angle droit
2. Réglage latéral = corriger le recouvrement de la porte au paroi latérale
3. Réglage en hauteur = corriger le distance entre porte et plan de travail



Fitting Instructions for Corner Carousel Mechanism ES-70-D



The ES-70-D is used for outer cabinet widths of 800 and 900 mm.

On the basis of information provided by you in the ES-70-D data sheet, we have defined the fitting most suited for your requirement. These fitting instructions include a sheet entitled "Installation service" as well as the measurement sheets for the bottom, door and side wall of the cabinet, including all drawings and construction dimensions.

1. Preparing the cabinet bottom

- Make the 3 drill holes in the floor as indicated in the attached dimension sheet "Cabinet bottom" (see ⑬).
- Then press the cam plate (see ⑫) into the holes and fasten using 3 Spax screws 3.5 x 30 mm.

2. Preparing the side walls

- Drill 12 mm deep holes with the 5 mm drill bit as illustrated in the dimension sheet "Side wall".
- Pre-mount Euro flange head / Euro countersunk head screws 6.1 x 10 mm.

3. Preparing the cabinet body

- Assemble the components to create the cabinet body.

4. Installing the bearing cross

- Screw the bearing cross (see ①) into place.
- When using a back panel made of hard fibreboard:
 1. Align the side walls square.
 2. Fasten the back panel onto the retaining bracket of the bearing cross (see ①) with the supplied clip.

5. Installation of fitting

- Place the fitting, rotated 90° into the inside of the cabinet, onto the retaining fixture in the cam plate (see ⑫).
- Press the two connecting rods at the same time (see ⑪) together and towards the axle.

Once the guide roller is positioned at the inner rim of the cam plate, and you can audibly hear the axle clicking into place, the fitting has been correctly installed.

- Now connect the telescopic tube (see

- ②) with the bearing cross (see ①) by releasing and pulling the telescopic tube (see ③) out until it reaches beyond the pin in the bearing cross (see ①). *Note: The telescopic tube must rest against the bearing cross. Do not push the bearing cross upwards with the telescopic tube!*

- Then tighten the telescopic tube tensioner (see ③).

- It should now be possible to rotate the fitting around 360 degrees undisturbed.

6. Preparing the doors and final assembly

- For flat overlaid doors, the right-hand door must be larger than the left-hand one.

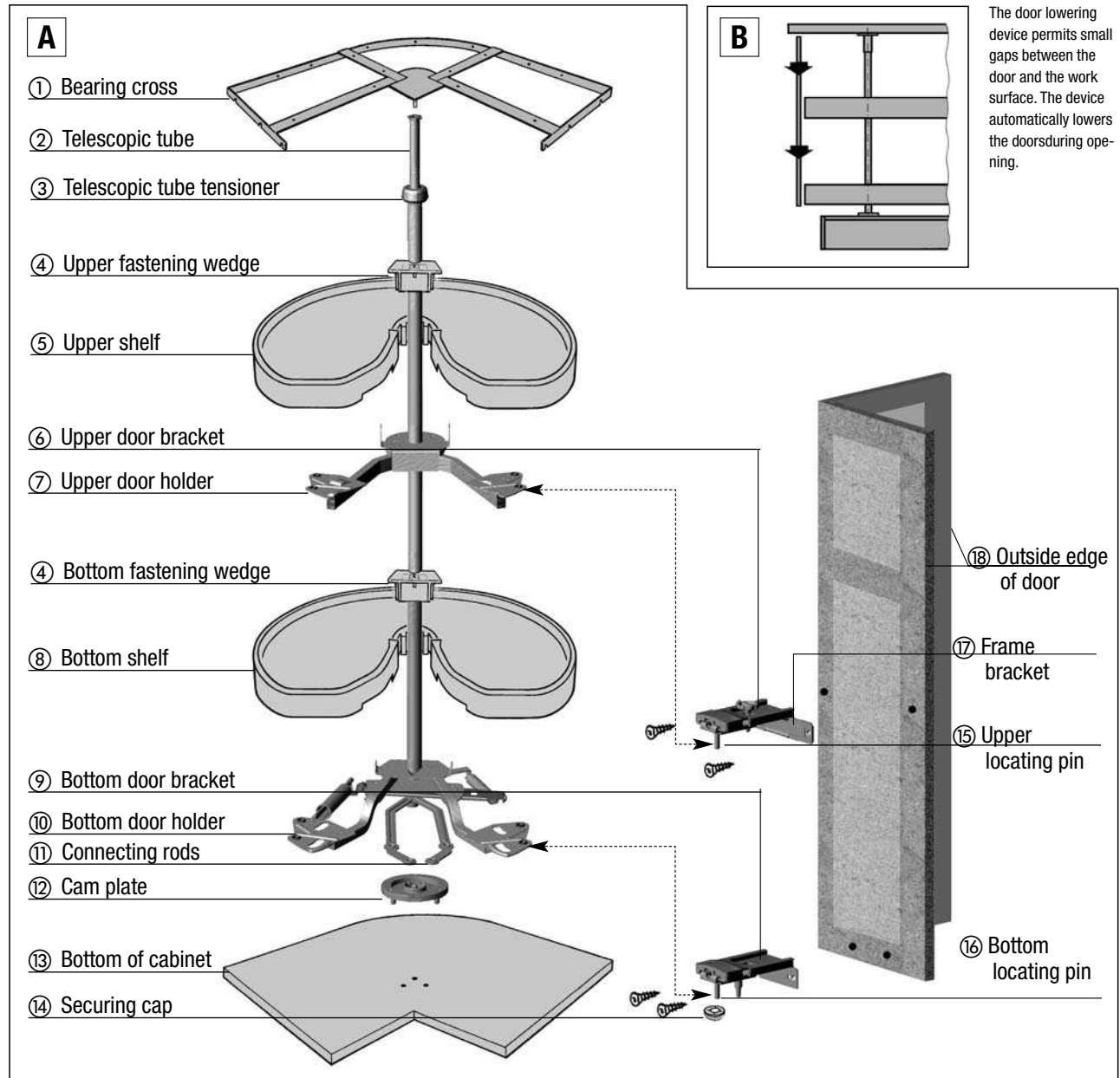
- Doors with corner studs must be fixed to the right-hand door.

- Pre-drill the screw-on points on the door according to the attached dimension sheet "Door". Then screw the upper and lower door brackets (see ⑥ and ⑨) onto the doors.

- With an 800 mm cabinet, the shorter side of the frame bracket (see ⑰) is pointing towards the outer edge of the door (see ⑱). The doors must be suspended with the locating pins (see ⑮ and ⑯) in the front holes of the upper and lower door holder (see ⑦ and ⑩).

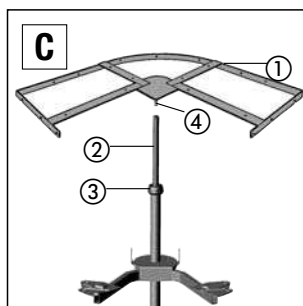
- With a 900 mm cabinet, the longer side of the frame bracket (see ⑰) is pointing towards the outer edge of the door (see ⑱). The doors must be suspended with the locating pins (⑮) in the rear holes of the upper and lower door holder (see ⑦ and ⑩).

- Clip the connecting rods (see ⑪) into the bottom door bracket (see ⑨).

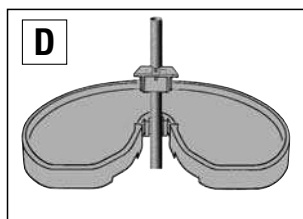


For the HETAL carousel fitting mechanism ES-70-D, we recommend:

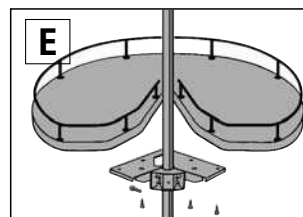
- **Steel bearing cross** from HETAL.
For details, see the catalogue Corner Carrousel Mechanisms.
- **Plastic shelves** from HETAL. (See catalogue "ET-28 and ET-29")
- Most common wood and wire shelves of almost all renowned manufacturers can also be used. Please contact your shelf supplier.



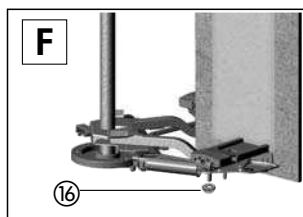
Telescopic fixation
Connect the telescopic tube (see ②) to the bearing cross (see ①) by releasing the telescopic tube tensioner (see ③) and pulling the telescopic tube out until it ② reaches beyond the pin of the bearing cross (see ⑤)
Note:
Do not push the bearing cross upwards with the telescopic tube!



Plastic shelves
Attach to the axle following the supplied instructions.



Support for wooden shelves
Mount in accordance with our construction drawing and attach to the axle.



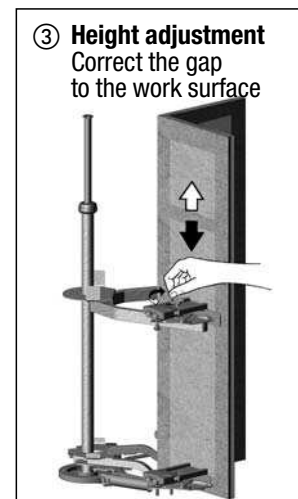
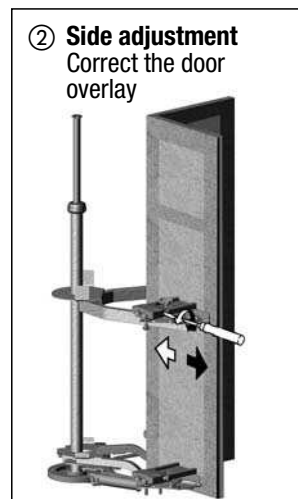
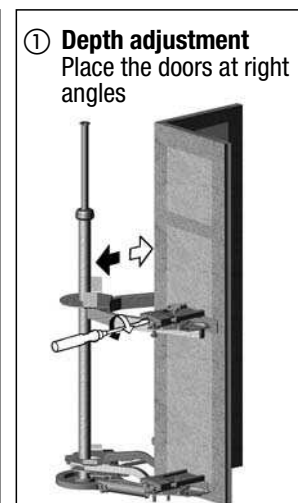
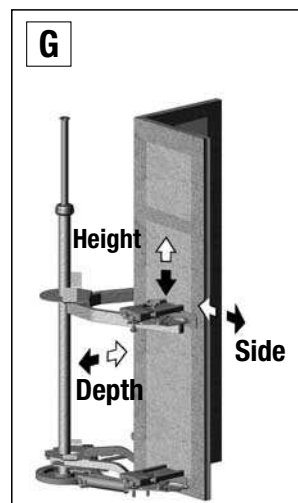
Securing the door
To avoid unintentionally lifting the door off its hinges, secure the bottom locating pins with the securing cap (see ⑯).

Adjusting the doors

The doors can be adjusted independently of each other in any direction.

Before starting with the adjustment, the corner cabinet should be aligned precisely by means of the adjustable cabinet feet. When doing this, pay attention to also adjust central adjusting foot to ensure correct support of subsequent loads on the axle.

Then align the doors in the sequence indicated on the right.



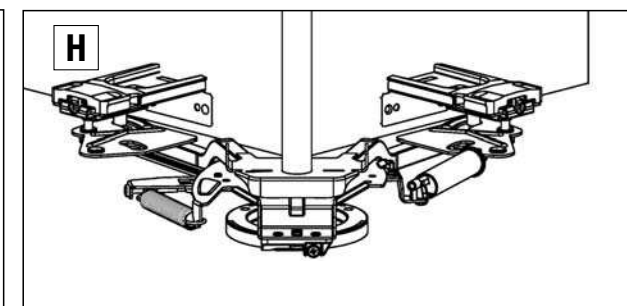
Adjusting the dumping system

If the pre-adjustment of the fitting in delivered status does not meet your expectations a vernier adjustment is possible:

Rotation dumping system:

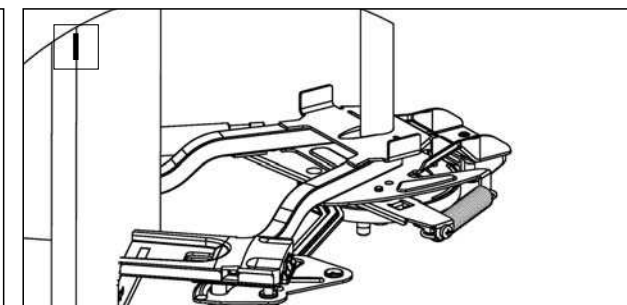
To avoid an oscillation when closing the doors the rotation dumping system has to be adapted in assemble condition.

Turn the adjusting screw to the right = more braking action
Turn the adjusting screw to the left = less braking action



Linear dumping system

Due to the linear dumping system the closing speed of the doors can be changed by turning the adjusting screw in assemble condition:
By turning the adjusting screw to the left the closing speed is reduced.
By turning the adjusting screw to the right the closing speed is increased.



HETAL-Werke • Franz Hettich GmbH & Co. KG

Postfach 12 40 • D-72272 Alpirsbach, Germany
Freudenstädter Straße 30 • D-72275 Alpirsbach, Germany
Tel. +49 (0)74 44 / 68-0 • Fax +49 (0)74 44 / 68-110
e-mail: Info@HETAL.de • <http://www.HETAL.de>

- D** Einstellaneitung ES-70-D
- GB** Adjustment instructions ES-70-D
- F** Ajustement ES-70-D

D Falls die Funktion der werkseitigen Voreinstellung des Beschlages nicht Ihren Vorstellungen entspricht, ist eine Feinjustierung möglich:

Dank der einstellbaren Lineardämpfung können Sie die Schließgeschwindigkeit der Türen verändern. Dies erfolgt bei eingebautem Beschlag über die Stellschraube an der Feder:

Stellschraube nach rechts drehen = schneller Schließvorgang,
Stellschraube nach links drehen = langsamer Schließvorgang

Sie können ein Pendeln der Türen beim Schließen verhindern, in dem Sie die Rotationsdämpfung bei eingebautem Beschlag anpassen:

Stellschraube nach rechts drehen = stärkere Bremsfunktion
Stellschraube nach links drehen = schwächere Bremsfunktion

GB If the pre-adjustment of the fitting in delivered status does not meet your expectations a vernier adjustment is possible:

Due to the linear dumping system the closing speed of the doors can be changed by turning the adjusting screw in assemble condition:

By turning the adjusting screw to the left the closing speed is reduced.
By turning the adjusting screw to the right the closing speed is increased.

To avoid an oscillation when closing the doors the rotation dumping system has to be adapt in assemble condition.

Turn the adjusting screw to the right = more braking action
Turn the adjusting screw to the left = less braking action

F Si le fonctionnement du pré-réglage de la ferrure, effectué en usine, ne répond pas à vos attentes, un ajustement précis est possible:

Grâce à l'amortissement linéaire réglable, vous pouvez modifier la vitesse de fermeture des portes. Cette modification s'effectue lorsque la ferrure est montée, par l'intermédiaire de la vis de réglage du ressort:

Fermeture plus rapide en tournant la vis de réglage vers la droite,
Fermeture plus lente en tournant la vis de réglage vers la gauche.

Vous pouvez empêcher une oscillation des portes lors de la fermeture, en adaptant l'amortissement rotatif lorsque la ferrure est montée:

Freinage plus important en tournant la vis de réglage vers la droite
Freinage moins important en tournant la vis de réglage vers la gauche

- I** Istruzioni di regolazione ES-70-D
- ES** Ajuste del herraje ES-70-D
- NL** Instelhandleiding ES-70-D

I Se la regolazione della guarnitura attuata in fabbrica non corrisponde alle vostre aspettative, è possibile effettuare una regolazione fine.

Grazie all'ammortizzazione lineare regolabile, potete modificare la velocità di chiusura delle antine. Ciò avviene a guarnitura montata tramite la vite di regolazione sulla molla:

Girare la vite di regolazione verso destra = chiusura più rapida,
Girare la vite di regolazione verso sinistra = chiusura più lenta.

Potete impedire l'oscillazione delle antine durante la chiusura adattando l'ammortizzazione della rotazione a la guarnitura montata:

Girare la vite di regolazione verso destra = funzione di freno più elevata
Girare la vite di regolazione verso sinistra = funzione di freno più debole

ES En el caso de que la función del ajuste previo del herraje no corresponda a sus deseos, es posible realizar un ajuste de precisión:

Gracias a la posibilidad de ajuste de la amortiguación lineal, puede modificar la velocidad de cierre de las puertas. Esto se realiza a herraje montado mediante el tornillo de ajuste en el resorte:

Girar el tornillo de ajuste a la derecha = proceso de cierre más rápido
Girar el tornillo de ajuste a la izquierda = proceso de cierre más lento

Puede impedir un balanceo de las puertas al cerrar, adaptando la amortiguación de rotación al herraje montado:

Girar el tornillo de ajuste a la derecha = función de frenado más fuerte
Girar el tornillo de ajuste a la izquierda = función de frenado más débil

NL Als de werking van de in de fabriek uitgevoerde instelling van het beslag niet aan uw verwachtingen voldoet, dan is een fijnregeling mogelijk.

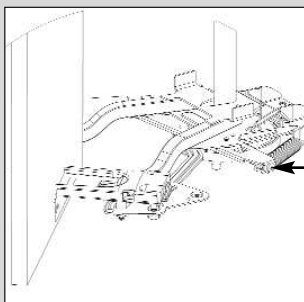
Dankzij de instelbare lineaire demping kunt u de sluitsnelheid van de deuren veranderen. Dit gebeurt bij ingebouwd beslag via de stelschroef op de veer:

Als u de stelschroef rechtsom draait, krijgt u een snellere sluiting.
Als u de stelschroef linksom draait, krijgt u een langzame sluiting.

U kunt het pendelen van de deuren bij het sluiten verhinderen door de rotatiedemper van het inbouwbeslag aan te passen:

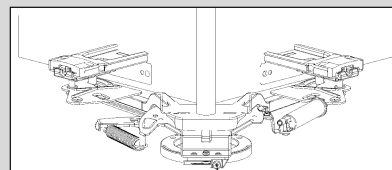
Draai de stelschroef naar rechts = sterkere remwerking
Draai de stelschroef naar links = lagere remfunctie

Lineardämpfung / Linear dumping system / L'amortissement linéaire / Ammortizzazione lineare / Amortiguación lineal / Lineaire demping /



Stellschraube (Lineardämpfung)
Adjustment screw (linear dumping system)
Vis de réglage (amortissement linéaire)
Vite di regolazione (ammortizzazione lineare)
Tornillo de ajuste (amortiguación lineal)
Stelschroef (lineaire demping)

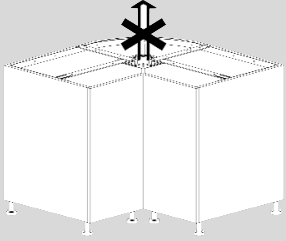
Rotationsdämpfung / Rotation dumping / L'amortissement rotatif / L'ammortizzazione della rotazione / La amortiguación rotación / Rotatiedemper /



Stellschraube (Rotationsdämpfung)
Adjustment screw (rotation dumping)
Vis de réglage (armortissement rotatif)
Vite di regolazione (ammortizzazione della rotazione)
Tornillo de ajuste (amortiguación rotación)
Stelschroef (rotatiedemper)

- D** Justieren der Türen ES-70-D
- GB** Adjustment of the doors ES-70-D
- F** Ajustage des portes ES-70-D

- I** Regolazione delle porte ES-70-D
- ES** Ajuste de las puertas ES-70-D
- NL** Bijstellen deuren van ES-70-D



D Nicht am Lagerkreuz tragen.
Vor Inbetriebnahme:
Lagerkreuz an der Arbeitsplatte festschrauben.

GB Do not carry on the bearing cross.
Before using:
Screw bearing cross tight onto the working plate.

F Ne pas transporter par la croix de montage.
Avant la mise en service:
Visser la croix de montage sur le plan de travail.

I Non trasportare utilizzando il supporto a croce.
Prima della messa a punto:
Avvitare saldamente il supporto a croce al piano di lavoro.

ES ¡No utilizar la cruz del cojinete para llevarla!
Antes de la puesta en servicio:
Atornillar la cruz del cojinete en la plancha de trabajo.

NL U mag de kast niet dragen aan het lagerkruis.
Voor gebruik:
Het kruis aan het keukenblad vastschroeven.

D Die Türen lassen sich in alle Richtungen justieren.
Bevor Sie mit dem Justieren beginnen, muss der Eckschrank über die Verstellfüße exakt ausgerichtet sein. Dabei ist der mittlere Verstellfuß wegen späterer Achsbelastungen unbedingt mit einzustellen.

Tiefeneinstellung = Türen in 90°-Position bringen
Seiteneinstellung = Türaufschlag korrigieren
Höheneinstellung = Fuge zur Arbeitsplatte korrigieren.

GB The doors can be adjusted in all directions.
Before starting with adjustment, make sure that the corner cabinet is aligned exactly by means of the adjustable cabinet feet. Special attention should be paid to the adjustment of the middle foot for support of the axle weight.

Depth adjustment = put the doors in the 90° position
Side Adjustment = correct the door overlay
Height adjustment = correct the distance between door and working plate

F Les portes peuvent être ajustée dans tous les sens.
Avant de commencer l'ajustage, veiller à ce que l'armoire d'angle soit exactement dressée sur les pieds réglables. Régler impérativement le pied central à cause des charges axiales exercées ultérieurement.

Réglage en profondeur = mettre portes au angle droit
Réglage latéral = corriger le recouvrement de la porte au paroi latérale
Réglage en hauteur = Acorriger le distance entre porte et plan de travail

I Le ante si possono mettere a punto in tutti i sensi.
Prima di iniziare la messa a punto, fare attenzione che l'armadio angolare sia livellato con precisione sui piedini regolabili. È indispensabile regolare anche il piedino di regolazione centrale per tener conto delle successive sollecitazioni assiali.

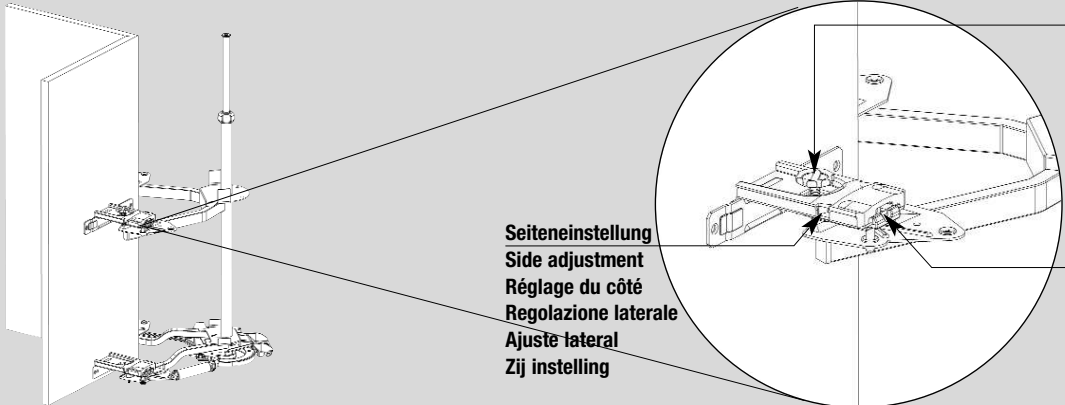
Regolazione della profondità = mettere le ante in posizione 90°
Regolazione laterale = correggere il sovrapporsi delle ante
Regolazione dell'altezza = correggere la fuga fra anta e piano di lavoro

ES Las puertas se dejan ajustar en todas las direcciones.
Antes de comenzar con el ajuste, el armario rinconero tiene que estar exactamente nivelado mediante las patas de nivelación. Al hacer esto, es absolutamente necesario ajustar también la pata central de nivelación a causa de las posteriores cargas axiales.

Ajuste de la profundidad = poner las puertas en posición 90°
Ajuste lateral = corregir el recubrimiento de las puertas
Ajuste de la altura = corregir la junta entre puerta y encimera

NL De deuren kunnen in alle richtingen worden afgesteld.
Alvorens u begint met afstellen, moet de hoekkast door middel van de stelvoeten precies worden uitgericht. De middelste voet moet goed afgesteld worden, vanwege de latere belasting op de as.

Diepte-instelling = deuren onder een hoek van 90° zetten
Zijdelingse instelling = deuraanslag corrigeren
Hoogte-instelling = voeg t.o.v. het werkblad corrigeren



Seiteneinstellung
Side adjustment
Réglage du côté
Regolazione laterale
Ajuste lateral
Zij instelling

Höheneinstellung
Height adjustment
Réglage de la hauteur
Regolazione dell'altezza
Ajuste de la altura
Hoogte instelling

Tiefeneinstellung
Depth adjustment
Réglage de la profondeur
Regolazione della profondità
Ajuste de la profundidad
Diepte instelling